

Bourdon tube pressure gauge
Lower mount, standard version
Model P.13
P.131 , P132



for further approvals
see page 3

Applications

For gaseous and liquid media that are not highly viscous
or crystallising and will not attack copper alloy parts
Pneumatics
Heating and air-conditioning technology
Medical engineering

Special features

Reliable and cost-effective
Design per EN 837-1
Nominal size 40, 50, 63, 80, 100 and 160
Scale ranges up to 0 ... 400 bar

Description

Design
EN 837-1

Nominal size in mm

40, 50, 63, 80, 100 and 160

Accuracy class

2/5

Scale ranges

0 ... 0.6 to 0 ... 400 bar (NS 160: max. 40 bar) or all other equivalent vacuum or combined pressure and vacuum ranges

Pressure limitation

Steady: 3/4 x full scale value
Fluctuating: 2/3 x full scale value
Short time: Full scale value

**Mechanical
pressure measurement**



Bourdon tube pressure gauge model P.13

Permissible temperature

Ambient: -20 ... +60 °C
Medium: +60 °C maximum

Temperature effect

When the temperature of the measuring system deviates from the reference temperature (+20 °C):
max. ± 0.4 %/10 K of the span

Standard version**Process connection**

Copper alloy,
lower mount (LM)
NS 40: G 1/8 B (male), 14 mm flats
NS 50,63: G 1/4 B (male), 14 mm flats
NS 80, 100, 160: G 1/2 B (male), 22 mm flats

Pressure element

Copper alloy
C-type or helical type

Movement

Copper alloy

Pointer

Plastic, black
NS 160: Aluminium, black

Case

Plastic, black
NS 160: Steel, black

Window

Plastic, crystal-clear, snap-fitted in case
NS 160: Instrument glass

Bezel ring

Without
NS 160: Steel, black

Options

Other process connection
Accuracy class 1.6
Case steel, black, for NS 40, 50 and 63 with blow-out device
Surface mounting flange (not with NS 40 and 50)

Special versions**For closed heating systems**

NS 63, 80
with red mark pointer and adjustable green sector,
scale
ranges 0 ... 4 bar, red mark at 2.5 or 3 bar

For refrigeration plants

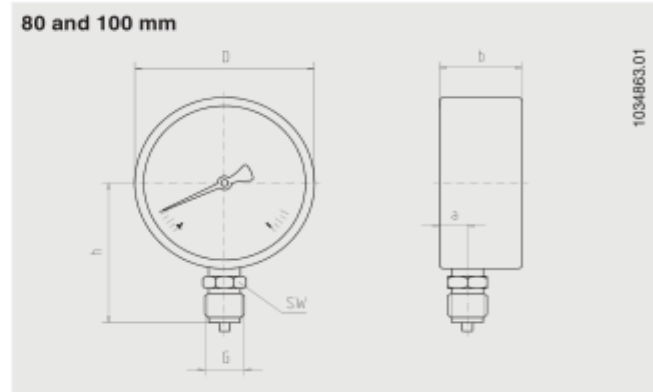
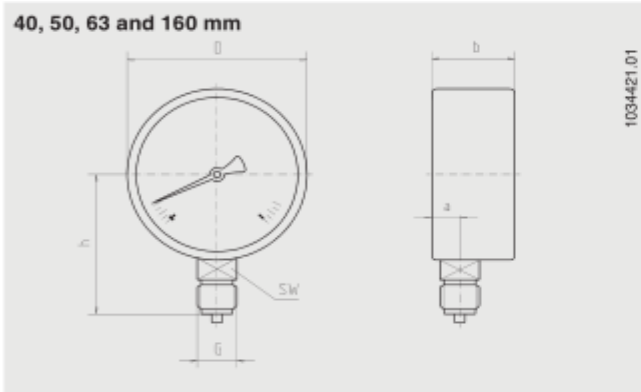
NS 63, 80
with additional temperature scale for refrigerants in
°C,
refrigerants: R 12, R 22, R 502, R 404 a or R 134 a

For water-level indication (hydrometer)

NS 80, 100, 160
Scale ranges 0 ... 0.6 to 0 ... 40 bar, with second scale
in mWS

Dimensions in mm

Standard version



NS	Dimensions in mm						Weight in kg
	a	b ±0.5	D	G	h ±1	SW	
40	9.5	26	39	G 1/8 B	36	14	0.08
50	10	27.5	49	G 1/4 B	45	14	0.10
63	9.5	27.5	62	G 1/4 B	53.5	14	0.13
80	11.5	30	79	G 1/2 B	72	22	0.18
100	11.5	30.5	99	G 1/2 B	83.5	22	0.21
160	15.5	42	160	G 1/2 B	115.5	22	0.85

Process connection per EN 837-1 / 7.3

CE conformity

Pressure equipment directive

97/23/EC, PS > 200 bar, module A, pressure accessory

Approvals

GOST, metrology/measurement technology, Russia

GOST-R, import certificate, Russia

CRN, safety (e.g. electr. safety, overpressure, ...), Canada

Ordering information

Model / Nominal size / Scale range / Connection size / Options

Certificates 1)

2.2 test report per EN 10204 (e.g. state-of-the-art manufacturing, material proof, indication accuracy)

3.1 inspection certificate per EN 10204 (e.g. indication accuracy)

1) Option